

Trimmer Potentiometers

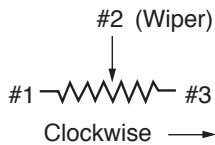


Lead Sealed Type Multiturn PV36 Series

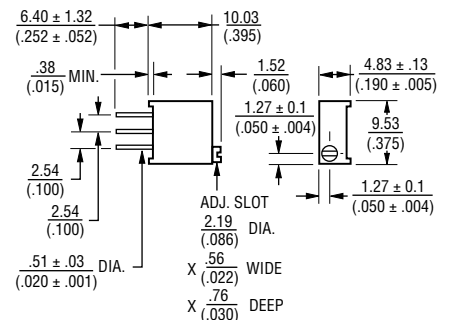
PV36 Series

Features

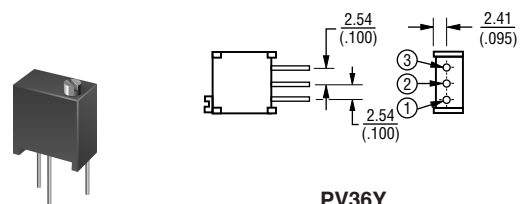
1. Multiturn / Cermet / Sealed
2. Available in both top and side adjustment
3. Units can be pre-adjusted at clockwise, counter-clockwise or standard 50 % position
4. Standoffs allow thorough PC board washing
5. Chevron seal design
6. RoHS compliant*
7. For trimmer applications/processing guidelines, [click here](#)



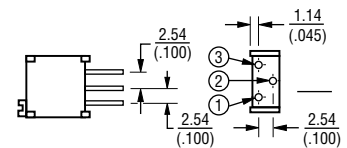
COMMON DIMENSIONS



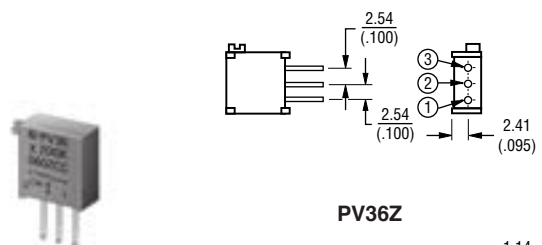
PV36W



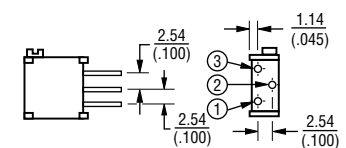
PV36Y



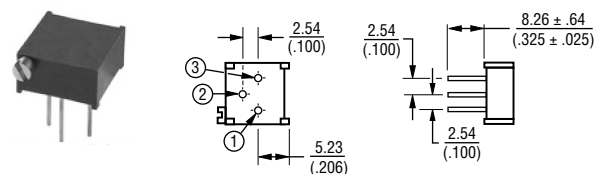
PV36X



PV36Z



PV36P



DIMENSIONS: $\frac{\text{MM}}{\text{(INCHES)}}$
TOLERANCES: $\pm \frac{0.25}{(.010)}$ EXCEPT WHERE NOTED



*RoHS Directive 2002/95/EC Jan. 27, 2003 including annex and RoHS Recast 2011/65/EU June 8, 2011.
Specifications are subject to change without notice.
The device characteristics and parameters in this data sheet can and do vary in different applications and actual device performance may vary over time.
Users should verify actual device performance in their specific applications.

Top Adjustment

| Part Number | Power Rating (W) | Number of Turns (Effective Rotation Angle) | Total Resistance Value | TCR (ppm/°C) |
|----------------|------------------|--|------------------------|--------------|
| PV36W100C01B00 | 0.5 (70 °C) | 25 | 10 ohm ±10 % | ±150 |
| PV36W200C01B00 | 0.5 (70 °C) | 25 | 20 ohm ±10 % | ±150 |
| PV36W500C01B00 | 0.5 (70 °C) | 25 | 50 ohm ±10 % | ±150 |
| PV36W101C01B00 | 0.5 (70 °C) | 25 | 100 ohm ±10 % | ±150 |
| PV36W201C01B00 | 0.5 (70 °C) | 25 | 200 ohm ±10 % | ±100 |
| PV36W501C01B00 | 0.5 (70 °C) | 25 | 500 ohm ±10 % | ±100 |
| PV36W102C01B00 | 0.5 (70 °C) | 25 | 1k ohm ±10 % | ±100 |
| PV36W202C01B00 | 0.5 (70 °C) | 25 | 2k ohm ±10 % | ±100 |
| PV36W502C01B00 | 0.5 (70 °C) | 25 | 5k ohm ±10 % | ±100 |
| PV36W103C01B00 | 0.5 (70 °C) | 25 | 10k ohm ±10 % | ±100 |
| PV36W203C01B00 | 0.5 (70 °C) | 25 | 20k ohm ±10 % | ±100 |
| PV36W253C01B00 | 0.5 (70 °C) | 25 | 25k ohm ±10 % | ±100 |
| PV36W503C01B00 | 0.5 (70 °C) | 25 | 50k ohm ±10 % | ±100 |
| PV36W104C01B00 | 0.5 (70 °C) | 25 | 100k ohm ±10 % | ±100 |
| PV36W204C01B00 | 0.5 (70 °C) | 25 | 200k ohm ±10 % | ±100 |
| PV36W254C01B00 | 0.5 (70 °C) | 25 | 250k ohm ±10 % | ±100 |
| PV36W504C01B00 | 0.5 (70 °C) | 25 | 500k ohm ±10 % | ±100 |
| PV36W105C01B00 | 0.5 (70 °C) | 25 | 1M ohm ±10 % | ±100 |
| PV36W205C01B00 | 0.5 (70 °C) | 25 | 2M ohm ±10 % | ±100 |

| | | | | |
|----------------|-------------|----|----------------|------|
| PV36Y100C01B00 | 0.5 (70 °C) | 25 | 10 ohm ±10 % | ±150 |
| PV36Y200C01B00 | 0.5 (70 °C) | 25 | 20 ohm ±10 % | ±150 |
| PV36Y500C01B00 | 0.5 (70 °C) | 25 | 50 ohm ±10 % | ±150 |
| PV36Y101C01B00 | 0.5 (70 °C) | 25 | 100 ohm ±10 % | ±150 |
| PV36Y201C01B00 | 0.5 (70 °C) | 25 | 200 ohm ±10 % | ±100 |
| PV36Y501C01B00 | 0.5 (70 °C) | 25 | 500 ohm ±10 % | ±100 |
| PV36Y102C01B00 | 0.5 (70 °C) | 25 | 1k ohm ±10 % | ±100 |
| PV36Y202C01B00 | 0.5 (70 °C) | 25 | 2k ohm ±10 % | ±100 |
| PV36Y502C01B00 | 0.5 (70 °C) | 25 | 5k ohm ±10 % | ±100 |
| PV36Y103C01B00 | 0.5 (70 °C) | 25 | 10k ohm ±10 % | ±100 |
| PV36Y203C01B00 | 0.5 (70 °C) | 25 | 20k ohm ±10 % | ±100 |
| PV36Y253C01B00 | 0.5 (70 °C) | 25 | 25k ohm ±10 % | ±100 |
| PV36Y503C01B00 | 0.5 (70 °C) | 25 | 50k ohm ±10 % | ±100 |
| PV36Y104C01B00 | 0.5 (70 °C) | 25 | 100k ohm ±10 % | ±100 |
| PV36Y204C01B00 | 0.5 (70 °C) | 25 | 200k ohm ±10 % | ±100 |
| PV36Y254C01B00 | 0.5 (70 °C) | 25 | 250k ohm ±10 % | ±100 |
| PV36Y504C01B00 | 0.5 (70 °C) | 25 | 500k ohm ±10 % | ±100 |
| PV36Y105C01B00 | 0.5 (70 °C) | 25 | 1M ohm ±10 % | ±100 |
| PV36Y205C01B00 | 0.5 (70 °C) | 25 | 2M ohm ±10 % | ±100 |

Operating Temperature Range: -55 to +125 °C

Soldering Method: Wave (Single and Dual)

BOURNS®

Specifications are subject to change without notice.

The device characteristics and parameters in this data sheet can and do vary in different applications and actual device performance may vary over time. Users should verify actual device performance in their specific applications.

Side Adjustment

| Part Number | Power Rating (W) | Number of Turns (Effective Rotation Angle) | Total Resistance Value | TCR (ppm/°C) |
|----------------|------------------|--|------------------------|--------------|
| PV36X100C01B00 | 0.5 (70 °C) | 25 | 10 ohm ±10 % | ±150 |
| PV36X200C01B00 | 0.5 (70 °C) | 25 | 20 ohm ±10 % | ±150 |
| PV36X500C01B00 | 0.5 (70 °C) | 25 | 50 ohm ±10 % | ±150 |
| PV36X101C01B00 | 0.5 (70 °C) | 25 | 100 ohm ±10 % | ±150 |
| PV36X201C01B00 | 0.5 (70 °C) | 25 | 200 ohm ±10 % | ±100 |
| PV36X501C01B00 | 0.5 (70 °C) | 25 | 500 ohm ±10 % | ±100 |
| PV36X102C01B00 | 0.5 (70 °C) | 25 | 1k ohm ±10 % | ±100 |
| PV36X202C01B00 | 0.5 (70 °C) | 25 | 2k ohm ±10 % | ±100 |
| PV36X502C01B00 | 0.5 (70 °C) | 25 | 5k ohm ±10 % | ±100 |
| PV36X103C01B00 | 0.5 (70 °C) | 25 | 10k ohm ±10 % | ±100 |
| PV36X203C01B00 | 0.5 (70 °C) | 25 | 20k ohm ±10 % | ±100 |
| PV36X253C01B00 | 0.5 (70 °C) | 25 | 25k ohm ±10 % | ±100 |
| PV36X503C01B00 | 0.5 (70 °C) | 25 | 50k ohm ±10 % | ±100 |
| PV36X104C01B00 | 0.5 (70 °C) | 25 | 100k ohm ±10 % | ±100 |
| PV36X204C01B00 | 0.5 (70 °C) | 25 | 200k ohm ±10 % | ±100 |
| PV36X254C01B00 | 0.5 (70 °C) | 25 | 250k ohm ±10 % | ±100 |
| PV36X504C01B00 | 0.5 (70 °C) | 25 | 500k ohm ±10 % | ±100 |
| PV36X105C01B00 | 0.5 (70 °C) | 25 | 1M ohm ±10 % | ±100 |
| PV36X205C01B00 | 0.5 (70 °C) | 25 | 2M ohm ±10 % | ±100 |

| | | | | |
|----------------|-------------|----|----------------|------|
| PV36P100C01B00 | 0.5 (70 °C) | 25 | 10 ohm ±10 % | ±150 |
| PV36P200C01B00 | 0.5 (70 °C) | 25 | 20 ohm ±10 % | ±150 |
| PV36P500C01B00 | 0.5 (70 °C) | 25 | 50 ohm ±10 % | ±150 |
| PV36P101C01B00 | 0.5 (70 °C) | 25 | 100 ohm ±10 % | ±150 |
| PV36P201C01B00 | 0.5 (70 °C) | 25 | 200 ohm ±10 % | ±100 |
| PV36P501C01B00 | 0.5 (70 °C) | 25 | 500 ohm ±10 % | ±100 |
| PV36P102C01B00 | 0.5 (70 °C) | 25 | 1k ohm ±10 % | ±100 |
| PV36P202C01B00 | 0.5 (70 °C) | 25 | 2k ohm ±10 % | ±100 |
| PV36P502C01B00 | 0.5 (70 °C) | 25 | 5k ohm ±10 % | ±100 |
| PV36P103C01B00 | 0.5 (70 °C) | 25 | 10k ohm ±10 % | ±100 |
| PV36P203C01B00 | 0.5 (70 °C) | 25 | 20k ohm ±10 % | ±100 |
| PV36P253C01B00 | 0.5 (70 °C) | 25 | 25k ohm ±10 % | ±100 |
| PV36P503C01B00 | 0.5 (70 °C) | 25 | 50k ohm ±10 % | ±100 |
| PV36P104C01B00 | 0.5 (70 °C) | 25 | 100k ohm ±10 % | ±100 |
| PV36P204C01B00 | 0.5 (70 °C) | 25 | 200k ohm ±10 % | ±100 |
| PV36P254C01B00 | 0.5 (70 °C) | 25 | 250k ohm ±10 % | ±100 |
| PV36P504C01B00 | 0.5 (70 °C) | 25 | 500k ohm ±10 % | ±100 |
| PV36P105C01B00 | 0.5 (70 °C) | 25 | 1M ohm ±10 % | ±100 |
| PV36P205C01B00 | 0.5 (70 °C) | 25 | 2M ohm ±10 % | ±100 |

| | | | | |
|----------------|-------------|----|----------------|------|
| PV36Z100C01B00 | 0.5 (70 °C) | 25 | 10 ohm ±10 % | ±150 |
| PV36Z200C01B00 | 0.5 (70 °C) | 25 | 20 ohm ±10 % | ±150 |
| PV36Z500C01B00 | 0.5 (70 °C) | 25 | 50 ohm ±10 % | ±150 |
| PV36Z101C01B00 | 0.5 (70 °C) | 25 | 100 ohm ±10 % | ±150 |
| PV36Z201C01B00 | 0.5 (70 °C) | 25 | 200 ohm ±10 % | ±100 |
| PV36Z501C01B00 | 0.5 (70 °C) | 25 | 500 ohm ±10 % | ±100 |
| PV36Z102C01B00 | 0.5 (70 °C) | 25 | 1k ohm ±10 % | ±100 |
| PV36Z202C01B00 | 0.5 (70 °C) | 25 | 2k ohm ±10 % | ±100 |
| PV36Z502C01B00 | 0.5 (70 °C) | 25 | 5k ohm ±10 % | ±100 |
| PV36Z103C01B00 | 0.5 (70 °C) | 25 | 10k ohm ±10 % | ±100 |
| PV36Z203C01B00 | 0.5 (70 °C) | 25 | 20k ohm ±10 % | ±100 |
| PV36Z253C01B00 | 0.5 (70 °C) | 25 | 25k ohm ±10 % | ±100 |
| PV36Z503C01B00 | 0.5 (70 °C) | 25 | 50k ohm ±10 % | ±100 |
| PV36Z104C01B00 | 0.5 (70 °C) | 25 | 100k ohm ±10 % | ±100 |
| PV36Z204C01B00 | 0.5 (70 °C) | 25 | 200k ohm ±10 % | ±100 |
| PV36Z254C01B00 | 0.5 (70 °C) | 25 | 250k ohm ±10 % | ±100 |
| PV36Z504C01B00 | 0.5 (70 °C) | 25 | 500k ohm ±10 % | ±100 |
| PV36Z105C01B00 | 0.5 (70 °C) | 25 | 1M ohm ±10 % | ±100 |
| PV36Z205C01B00 | 0.5 (70 °C) | 25 | 2M ohm ±10 % | ±100 |

Operating Temperature Range: -55 to +125 °C

Soldering Method: Wave (Single and Dual)

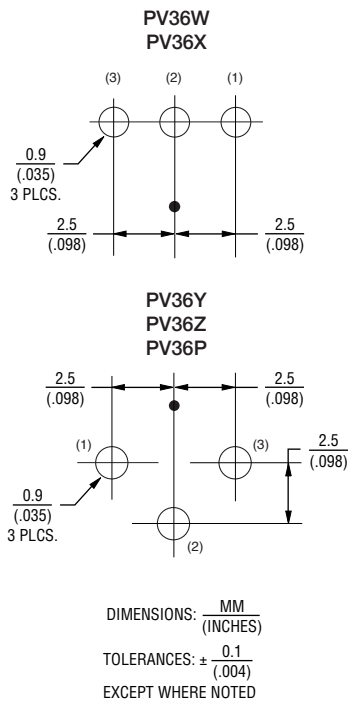
BOURNS®

Specifications are subject to change without notice.

The device characteristics and parameters in this data sheet can and do vary in different applications and actual device performance may vary over time.

Users should verify actual device performance in their specific applications.

Standard Mounting Holes



Characteristics

| | |
|---------------------------|---|
| Temperature Cycle | ΔTR : $\pm 2\%$ $\Delta V.S.S.$: $\pm 1\%$ |
| Humidity | ΔTR : $\pm 2\%$ IR : 100M ohm min. |
| Vibration (20G) | ΔTR : $\pm 1\%$ $\Delta V.S.S.$: $\pm 1\%$ |
| Shock (100G) | ΔTR : $\pm 1\%$ $\Delta V.S.S.$: $\pm 1\%$ |
| Temperature Load Life | ΔTR : $\pm 3\%$ $\Delta V.S.S.$: $\pm 1\%$ |
| Low Temperature Exposure | ΔTR : $\pm 2\%$ $\Delta V.S.S.$: $\pm 1\%$ |
| High Temperature Exposure | ΔTR : $\pm 3\%$ $\Delta V.S.S.$: $\pm 1\%$ |
| Rotational Life | ΔTR : RV 1k ohm, RU500k ohm ... $\pm 5\%$ 1k ohmF RF 500k ohm ... $\pm 3\%$ (200 cycles) |

ΔTR : Total Resistance Change
 $\Delta V.S.S.$: Voltage Setting Stability
IR : Insulation Resistance
R : Standard Total Resistance

Part Numbering

Product ID **PV 36 W 103 C01 B00**
 PV = Trimming Potentiometer
 Series 36 = Lead Sealed 10 mm Square, 25-Turns
 Adjustment Direction/Lead Type
 W = Top, Inline Y = Top, Triangle
 X = Side, Inline Z = Top, Triangle
 P = Side, Triangle

Total Resistance
 Expressed by three figures.
 The first and second figures are significant digits;
 the third figure expresses the number of zeros
 that follow.

| Resistance (Ohms) | Resistance Code |
|-------------------|-----------------|
| 10 | 100 |
| 20 | 200 |
| 50 | 500 |
| 100 | 101 |
| 200 | 201 |
| 500 | 501 |
| 1,000 | 102 |
| 2,000 | 202 |
| 5,000 | 502 |
| 10,000 | 103 |
| 20,000 | 203 |
| 25,000 | 253 |
| 50,000 | 503 |
| 100,000 | 104 |
| 200,000 | 204 |
| 250,000 | 254 |
| 500,000 | 504 |
| 1,000,000 | 105 |
| 2,000,000 | 205 |

Popular values listed in boldface. Special resistances available.

Individual Specification
 C01 = Standard Type

Packaging
 B00 = Tube (50 pcs. per tube)

Typical Part Marking

3-Digit Date Code and Manufacturing Code

- First digit indicates year of manufacture;
- Last two digits indicate week of manufacture;
- 4th digit is suffix for manufacturing location:
C = Costa Rica

Example:

604C = Manufactured in 2016, week 4, Costa Rica

Resistance Code

- Resistance code marking as shown in the Part Numbering Resistance Table.

BOURNS®