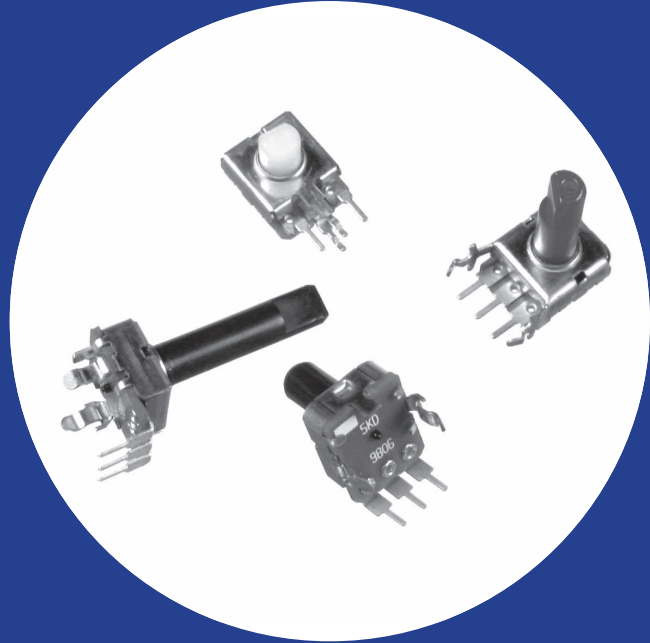


Commercial 12mm Diameter Carbon Composition Rotary Potentiometer

Features

- Miniature 12mm size
- Low cost
- Snap-in bracket for PC board mounting
- Detent available
- Insulated shaft available
- RoHS compliant



Electrical and Mechanical Specifications

Resistance Range

500 ohms through 1 Megohms

Resistance Tolerance

±30%, ±20%, ±10%

Power Rating

0.15 watts @ 50°C

Dielectric Strength

500 VDC for 1 minute

Maximum Operating Voltage

350 VDC

Insulation Resistance

100 Megohms minimum @ 250 VDC

Rotational Angle

Mechanical angle: 300°
Effective angle: 280°

Rotational Torque

20 – 216 gf-cm

Stop Strength

5.76 kg-cm minimum (VR without detent)
3 kg-cm minimum (VR with detent)

Mounting Information

P.C. board mounting
Type "X": Shaft parallel to P.C. board
Type "U": Shaft vertical to P.C. board
Type "H": Same as "X" except hook terminals

Detent

Detent @ 50% rotation

Push-Pull strength on shaft

8 kg for 10 seconds

Rotational life

10K cycles

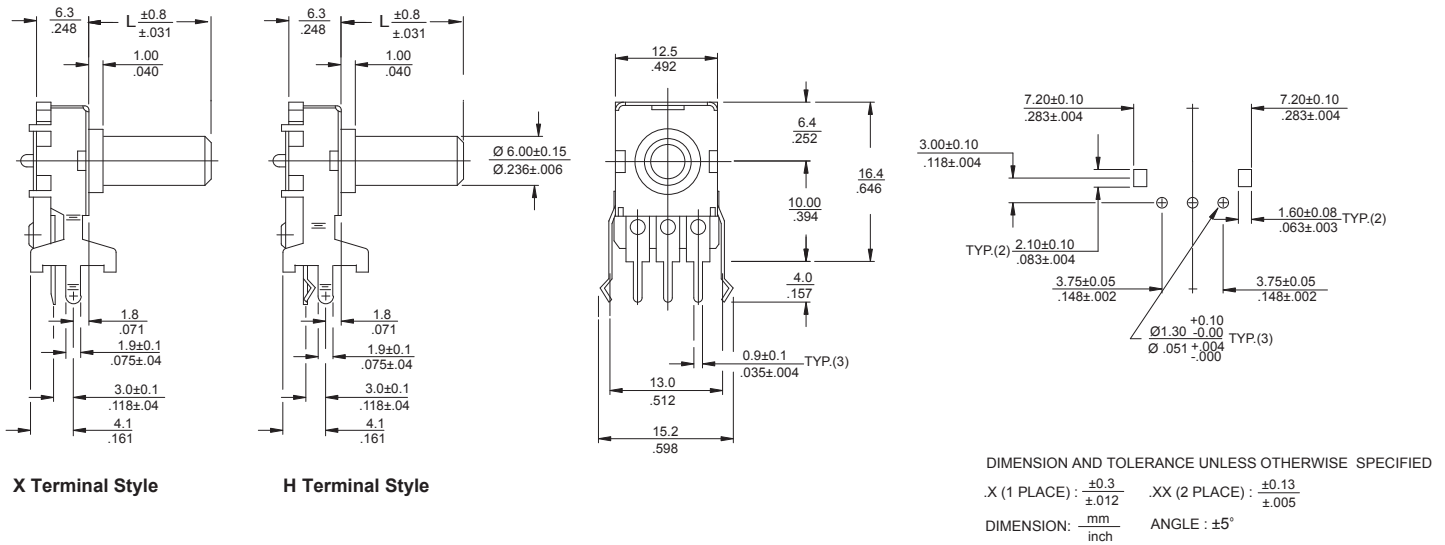
Operating temperature

-10°C ~ 80°C

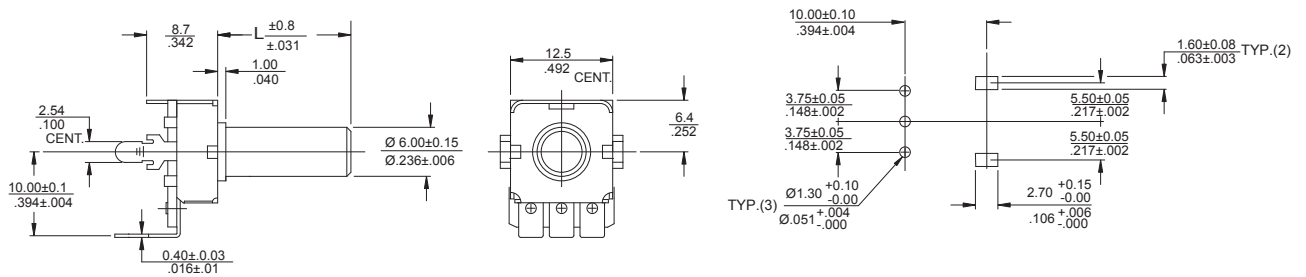
Solder Heat Resistance

260°C for 5 seconds

XM 296RE/ HM 296RE Molded Shaft, Shaft Parallel to P.C. Board



UM 296RE Molded Shaft, Shaft Perpendicular to P.C. Board



Ordering Information

