

Commercial 10mm Diameter Carbon Composition Trimmer Potentiometer

Features

- Compact size (9mm dia. X 4mm thickness)
- Adjustment knob slotted for front or rear screwdriver adjustment
- P.C. mounting with knob parallel or perpendicular to printed circuit board
- Wide resistance range
- RoHS Compliant



Electrical and Mechanical Specifications

Resistance Range

500 ohms through 2 Megohms, linear

Resistance Tolerance

±10%, ±20%, ±30%

Power Rating, Watts

0.15 watts @ 40°C

Maximum Operating Voltage

350 VDC

Resistance Tapers

Linear

Rotational Angle

265°

Rotational Torque

.3 to 5 in-oz (21.6 to 360 gf-cm)

Adjustment Knob

Color coded nylon knob with hex hole for top adjustment plus slot for either top or bottom screwdriver adjustment.

Standard Color Chart :

VALUE	COLOR	VALUE	COLOR	VALUE	COLOR
500Ω	Green	10KΩ	White	250KΩ	Violet
1KΩ	Yellow	25KΩ	Black	500KΩ	Brown
2.5KΩ	Red	50KΩ	Orange	1MΩ	Light Blue
5KΩ	Blue	100KΩ	Gray	2MΩ	Pink

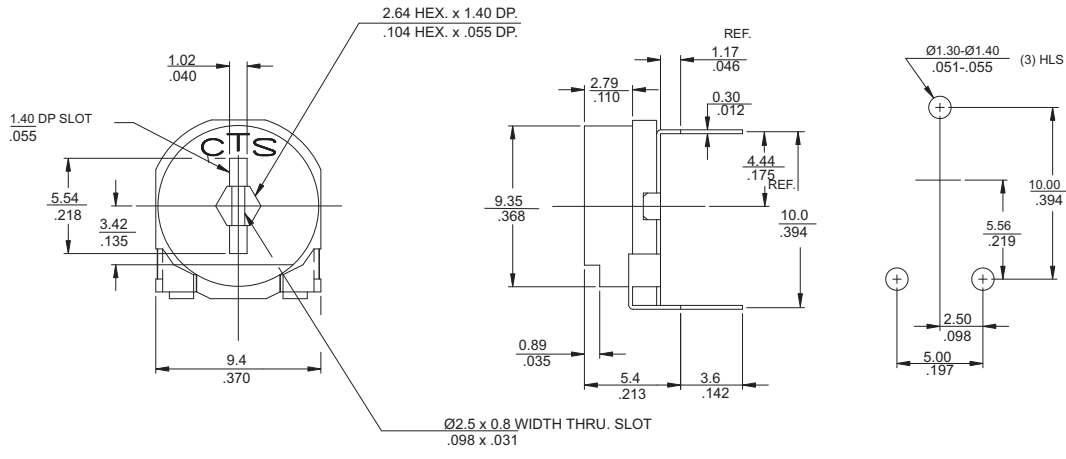
Stop Strength

16 inch ounces (1.2 kgf-cm)

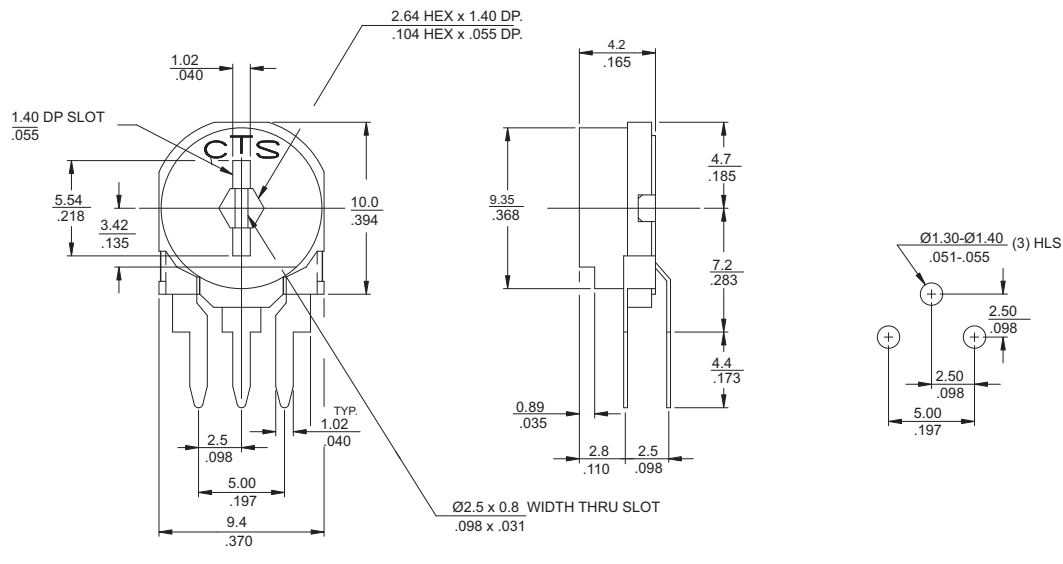
Operating Temperature

-35°C ~ 85°C

CTS Type 262U



CTS Type 262X



Standard Stocked Series 262 Trimmers

CTS Series 262 trimmers are available off the shelf from Distributor Stock under the following part numbers.

Distributor Stock Values			
Resistance Value ± 20%	Knob Color	Type and Part Number	
		262X	262U
500Ω	Green	262XR501B	262UR501B
1KΩ	Yellow	262XR102B	262UR102B
2.5KΩ	Red	262XR252B	262UR252B
5KΩ	Blue	262XR502B	262UR502B
10KΩ	White	262XR103B	262UR103B
25KΩ	Black	262XR253B	262UR253B
50KΩ	Orange	262XR503B	262UR503B
100KΩ	Gray	262XR104B	262UR104B
250KΩ	Violet	262XR254B	262UR254B
500KΩ	Brown	262XR504B	262UR504B
1.0MegΩ	Light Blue	252XR105B	262UR105B

Ordering Information

